

**FDT62**

YALITIMLI KATLANIR KAPI SİSTEMİ  
THERMAL FOLDING DOOR SYSTEM

**ASISTAL**

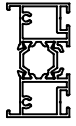
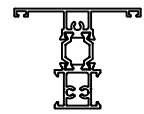
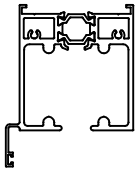
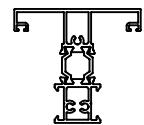
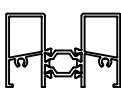
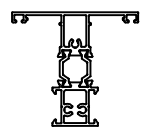
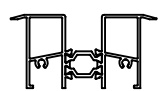

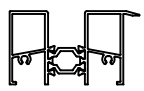

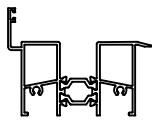

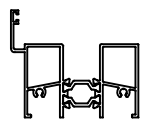

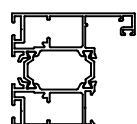
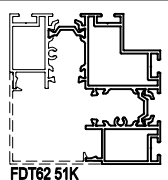
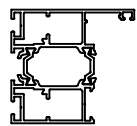
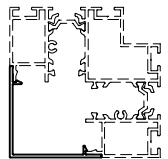
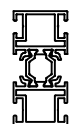

**PROFİL VE AKSESUAR LİSTELERİ**  
***PROFILE & ACCESSORIES LISTS***

# FDT62

YALITIMLI KATLANIR KAPI SİSTEMİ  
THERMAL FOLDING DOOR SYSTEM



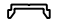







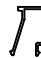


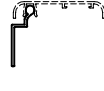



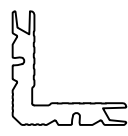


## PROFİL LİSTESİ - PROFILES LIST

<b>FDT62 01</b>		<b>FDT62 21</b>	
<b>DIKEY KASA PROFİLİ</b> VERTICAL FRAME PROFILE	<b>AĞIRLIK / Weight</b> 1,380 kg/mt	<b>KANAT İÇİ ORTA KAYIT PROFİLİ</b> MULLION/TRANSOM PROFILE FOR SASH PROFILE	<b>AĞIRLIK / Weight</b> 1,290 kg/mt
<b>FDT62 02</b>		<b>FDT62 22</b>	
<b>ÜST RAY PROFİLİ</b> UPPER DRIVER PROFILE	<b>AĞIRLIK / Weight</b> 2,640 kg/mt	<b>KANAT İÇİ ORTA KAYIT PROFİLİ</b> MULLION/TRANSOM PROFILE FOR SASH PROFILE	<b>AĞIRLIK / Weight</b> 1,455 kg/mt
<b>FDT62 03</b>		<b>FDT62 23</b>	
<b>ALT RAY PROFİLİ</b> LOWER DRIVER PROFILE	<b>AĞIRLIK / Weight</b> 1,314 kg/mt	<b>KANAT İÇİ ORTA KAYIT PROFİLİ - FDT62 12 İÇİN</b> MULLION/TRANSOM PROFILE FOR SASH PROFILE	<b>AĞIRLIK / Weight</b> 1,373 kg/mt
<b>FDT62 04</b>		<b>FDT62 41</b>	
<b>ALT RAY PROFİLİ</b> LOWER DRIVER PROFILE	<b>AĞIRLIK / Weight</b> 1,378 kg/mt	<b>ADAPTÖR PROFİLİ</b> ADAPTER PROFILE	<b>AĞIRLIK / Weight</b> 0,190 kg/mt
<b>FDT62 05</b>		<b>FDT62 42</b>	
<b>ALT RAY PROFİLİ</b> LOWER DRIVER PROFILE	<b>AĞIRLIK / Weight</b> 1,346 kg/mt	<b>KİL FİTİL ADAPTÖR PROFİLİ</b> BRUSH ADAPTER PROFILE	<b>AĞIRLIK / Weight</b> 0,278 kg/mt
<b>FDT62 06</b>		<b>FDT62 43</b>	
<b>ALT RAY PROFİLİ</b> LOWER DRIVER PROFILE	<b>AĞIRLIK / Weight</b> 1,465 kg/mt	<b>KAPI ADAPTÖR PROFİLİ</b> DOOR ADAPTER PROFILE	<b>AĞIRLIK / Weight</b> 0,310 kg/mt
<b>FDT62 07</b>		<b>FDT62 44</b>	
<b>ALT RAY PROFİLİ</b> LOWER DRIVER PROFILE	<b>AĞIRLIK / Weight</b> 1,433 kg/mt	<b>KAPI ADAPTÖR PROFİLİ</b> DOOR ADAPTER PROFILE	<b>AĞIRLIK / Weight</b> 0,226 kg/mt
<b>FDT62 11</b>		<b>FDT62 51</b>	
<b>KANAT PROFİLİ</b> SASH PROFILE	<b>AĞIRLIK / Weight</b> 1,844 kg/mt	<b>90° KÖŞE PROFİLİ</b> 90° CORNER PROFILE	<b>AĞIRLIK / Weight</b> 3,184 kg/mt
<b>FDT62 12</b>		<b>FDT62 51K</b>	
<b>KANAT PROFİLİ</b> SASH PROFILE	<b>AĞIRLIK / Weight</b> 1,791 kg/mt	<b>90° KÖŞE KAPAK PROFİLİ</b> 90° CORNER COVER PROFILE	<b>AĞIRLIK / Weight</b> 0,460 kg/mt
<b>FDT62 45</b>		<b>12-41</b>	
<b>ÇİFT KANAT ADAPTÖR PROFİLİ</b> DOUBLE SASH ADAPTER PROFILE	<b>AĞIRLIK / Weight</b> 0,214 kg/mt	<b>TİJ PROFİLİ</b> CONNECTING ROD	<b>AĞIRLIK / Weight</b> 0,118 kg/mt

\* Sipariş öncesi kalıp bilgisi kontrol edilmeli / must be check profile production before the order

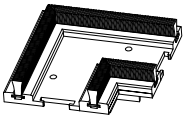
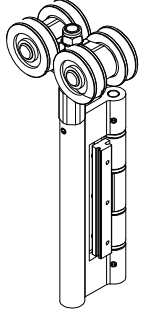

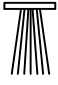
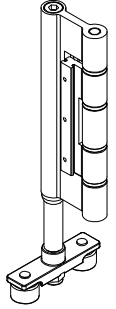
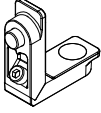
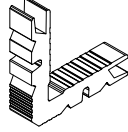
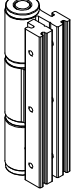
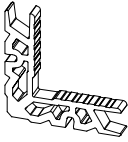
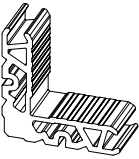
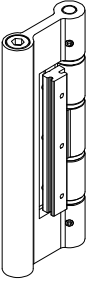

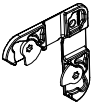

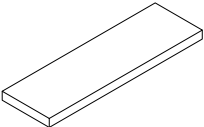
Profil ağırlıklarımız teorik olup; teslim anındaki tartımız geçerlidir.

## PROFİL LİSTESİ - PROFILE LISTS

12-62			11-030		
TİJ PROFİLİ CONNECTING ROD	AĞIRLIK / Weight 0,191 kg/mt		CAM ÇİTASI-30 mm GLAZING BEAD PROFILE	AĞIRLIK / Weight 0,308 kg/mt	
11-004			11-032		
CAM ÇİTASI-4 mm GLAZING BEAD PROFILE	AĞIRLIK / Weight 0,181 kg/mt		CAM ÇİTASI-32 mm GLAZING BEAD PROFILE	AĞIRLIK / Weight 0,315 kg/mt	
11-106			11-035		
CAM ÇİTASI-6 mm GLAZING BEAD PROFILE	AĞIRLIK / Weight 0,202 kg/mt		CAM ÇİTASI-35 mm GLAZING BEAD PROFILE	AĞIRLIK / Weight 0,323 kg/mt	
11-010			11-038		
CAM ÇİTASI-10 mm GLAZING BEAD PROFILE	AĞIRLIK / Weight 0,233 kg/mt		CAM ÇİTASI-38 mm GLAZING BEAD PROFILE	AĞIRLIK / Weight 0,334 kg/mt	
11-015			12-52		
CAM ÇİTASI-15 mm GLAZING BEAD PROFILE	AĞIRLIK / Weight 0,241 kg/mt		PERVAZ PROFİLİ BORDER PROFILE	AĞIRLIK / Weight 0,279 kg/mt	
11-017			12-53		
CAM ÇİTASI-17 mm GLAZING BEAD PROFILE	AĞIRLIK / Weight 0,250 kg/mt		PERVAZ MONTAJ PROFİLİ BORDER FIXING PROFILE	AĞIRLIK / Weight 0,177 kg/mt	
11-020			12-54		
CAM ÇİTASI-20 mm GLAZING BEAD PROFILE	AĞIRLIK / Weight 0,276 kg/mt		PERVAZ PROFİLİ BORDER PROFILE	AĞIRLIK / Weight 0,326 kg/mt	
11-022			10-010119-00		
CAM ÇİTASI-22 mm GLAZING BEAD PROFILE	AĞIRLIK / Weight 0,282 kg/mt		KÖŞE TAKOZU - 11,9mm CORNER JOINT PROFILE	AĞIRLIK / Weight 2,843 kg/mt	
11-026					
CAM ÇİTASI-26 mm GLAZING BEAD PROFILE	AĞIRLIK / Weight 0,296 kg/mt				
11-028					
CAM ÇİTASI-28 mm GLAZING BEAD PROFILE	AĞIRLIK / Weight 0,302 kg/mt				

EP1-01			FDA-K 01		
DIŞ CAM FİTİLİ - 2,5 mm OUTER GLAZING GASKET	KOLİ MİKTARI/Package 240 mt / 15 kg		ÇİFT YÖNLÜ KİLİTLEME KOLU GEAR BOX-HANDLE	KOLİ MİKTARI/Package Adet / Piece	
KC 02			FDA-GB 01		
CAM FİTİLİ - 2 mm GLAZING GASKET	KOLİ MİKTARI/Package 100 mt / 4,5 kg		ÇİFT YÖNLÜ KİLİTLEME GEAR BOX-TWO WAY	KOLİ MİKTARI/Package Adet / Piece	
EP2-01			ASI-LS 314890		
İÇ CAM FİTİLİ - 3 mm INNER GLAZING GASKET	KOLİ MİKTARI/Package 440 mt / 15 kg		İSPANYOLET KİLİTLEME MULTIPOINT LOCK WITH KEY	KOLİ MİKTARI/Package Adet / Piece	
EP2-02			ASI-LS 301645		
İÇ CAM FİTİLİ - 4 mm INNER GLAZING GASKET	KOLİ MİKTARI/Package 300 mt / 15 kg		İSPANYOLET KİLİT KARŞILIĞI LOCK STRIKES FOR MULTIPOINT LOCK	KOLİ MİKTARI/Package Adet / Piece	
EP2-03			ASI-RP 314750		
İÇ CAM FİTİLİ - 5 mm INNER GLAZING GASKET	KOLİ MİKTARI/Package 250 mt / 15 kg		TİJ PİMİ ROD PROFILE LOCKING	KOLİ MİKTARI/Package Adet / Piece	
EP3-03			ASI-RS 311100		
KANAT BİNİ FİTİLİ SASH GASKET	KOLİ MİKTARI/Package 430 mt / 15 kg		PİM KARŞILIK ROD PROFILE STRIKE	KOLİ MİKTARI/Package Adet / Piece	
EP62-01			ASI-BRL 90S		
ORTA BİNİ FİTİLİ GASKET FOR OPEN JOINT	KOLİ MİKTARI/Package 150 mt / 15 kg		90 LİK SİMETRİK BAREL SYMETRIC CYLINDER 90	KOLİ MİKTARI/Package Adet / Piece	
EP62-02			ASI-DH 002		
KANAT BİNİ FİTİLİ GASKET FOR FRAME	KOLİ MİKTARI/Package		KAPI KOLU DOOR HANDLE	KOLİ MİKTARI/Package Adet / Piece	
FDA-B 01			ASI-153 35		
SÜRGÜ KİLİTLEME FIXING BOLT	KOLİ MİKTARI/Package Takım / Set		DİLLİ KİLİT MORTISE LOCK WITH CYLINDER	KOLİ MİKTARI/Package Adet / Piece	
FDA-B 02			ASI-LS 90185D		
SÜRGÜ KİLİTLEME KOLU FIXING BOLT HANDLE	KOLİ MİKTARI/Package Adet / Piece		DİLLİ KİLİT KARŞILIĞI LOCK STRIKES	KOLİ MİKTARI/Package Adet / Piece	

## AKSESUAR LİSTESİ - ACCESSORIES LIST

<b>FDA-B 03</b>			<b>FDA-H 001</b>		
<b>KÖŞE KAPAK</b> COVER FOR CORNER	KOLİ MİKTARI/Package Adet / Piece		<b>ÜST MENTEŞE</b> TOP HINGE	KOLİ MİKTARI/Package Adet / Piece	
<b>12-41P</b>					
<b>POLYAMİD TİJ PROFİLİ</b> POLYAMİDE CONNECTING ROD PROFILE - 19mm	KOLİ MİKTARI/Package 6mt / Adet				
<b>KF 67-700</b>			<b>FDA-H 002</b>		
<b>FIRÇA FİTİL - 7mm</b> BRUSH GASKET	KOLİ MİKTARI/Package 1100 mt		<b>ALT MENTEŞE</b> BOTTOM HINGE	KOLİ MİKTARI/Package Adet / Piece	
<b>ASI-PB 1214</b>					
<b>PİMLİ KÖŞE BAĞLANTI</b> CORNER JOINT	KOLİ MİKTARI/Package Adet / Piece				
<b>ASI-KT 1214</b>			<b>FDA-H 003</b>		
<b>KÖŞE TAKOZU</b> CORNER JOINT	KOLİ MİKTARI/Package Adet / Piece		<b>ARA MENTEŞE</b> STANDART HINGE	KOLİ MİKTARI/Package Adet / Piece	
<b>ASI-KT 1606</b>					
<b>KÖŞE TAKOZU</b> CORNER JOINT	KOLİ MİKTARI/Package Adet / Piece				
<b>ASI-KT 1819</b>			<b>FDA-H 004</b>		
<b>KÖŞE TAKOZU</b> CORNER JOINT	KOLİ MİKTARI/Package Adet / Piece		<b>ÇEKME KOL</b> PULL HANDLE	KOLİ MİKTARI/Package Adet / Piece	
<b>ASI-FUJİ 2000</b>					
<b>AYARLI KÖŞE GÖNYESİ</b> CORNER ALIGNMENT	KOLİ MİKTARI/Package 200 Adet / Piece				
<b>ASI-FUJİ 2500</b>			<b>PNC-FDT62 (Pnömatik)</b>		
<b>AYARLI ORTA KAYIT BAĞLANTI</b> T JOINT CONNECTION	KOLİ MİKTARI/Package Adet / Piece		<b>PİMLİ BAĞLANTI PANÇ MAKİNESİ</b> PUNCH MACHINE FOR CORNER JOINT WITH BUTTON	KOLİ MİKTARI/Package Adet / Piece	
<b>FDA-M 01</b>					
<b>ÜST KASA MONTAJ PARÇASI</b> FRAME FIXED PART	KOLİ MİKTARI/Package Adet / Piece				

**FDT62**

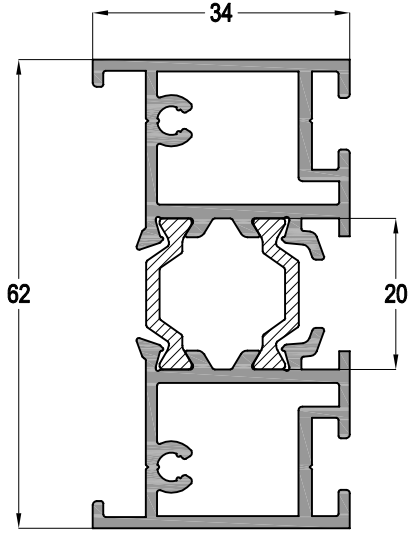
YALITIMLI KATLANIR KAPI SİSTEMİ  
THERMAL FOLDING DOOR SYSTEM

**ASISTAL**

**PROFİL DETAYLARI**  
*PROFILE DETAILS*

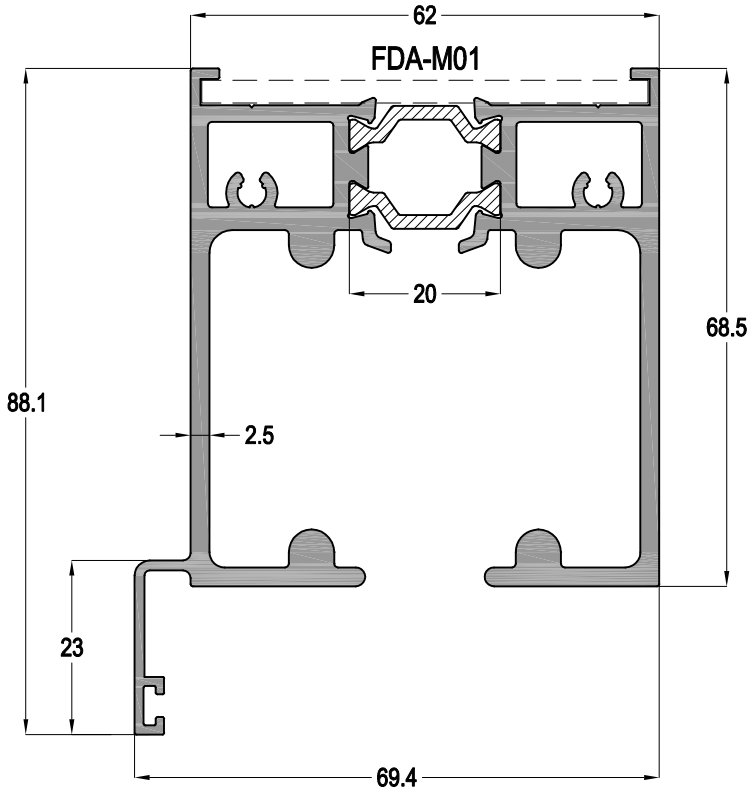
# FDT62

YALITIMLI KATLANIR KAPI SİSTEMİ  
THERMAL FOLDING DOOR SYSTEM

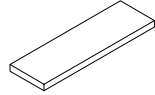


## FDT62 01

FDT62 01	
	AĞIRLIK / Weight
	1,380 kg/mt

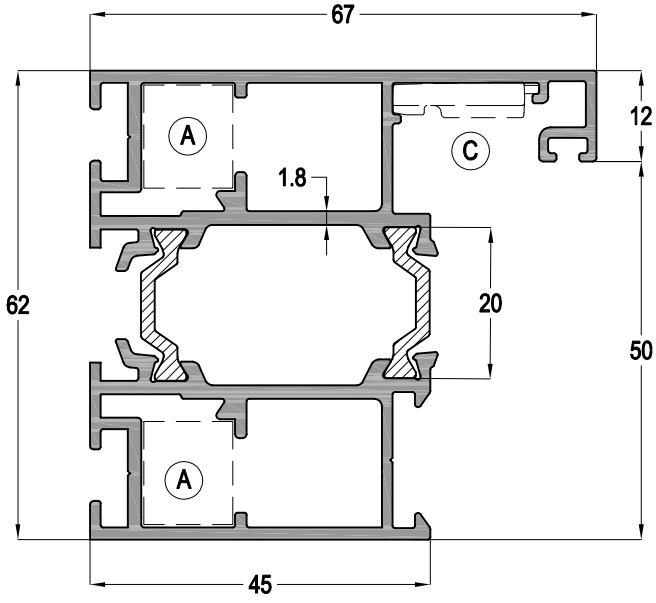


## FDT62 02

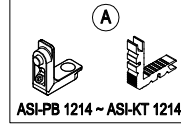
FDT62 02	
	AĞIRLIK / Weight
FDA-M01	2,640 kg/mt

# FDT62

YALITIMLI KATLANIR KAPI SİSTEMİ  
THERMAL FOLDING DOOR SYSTEM

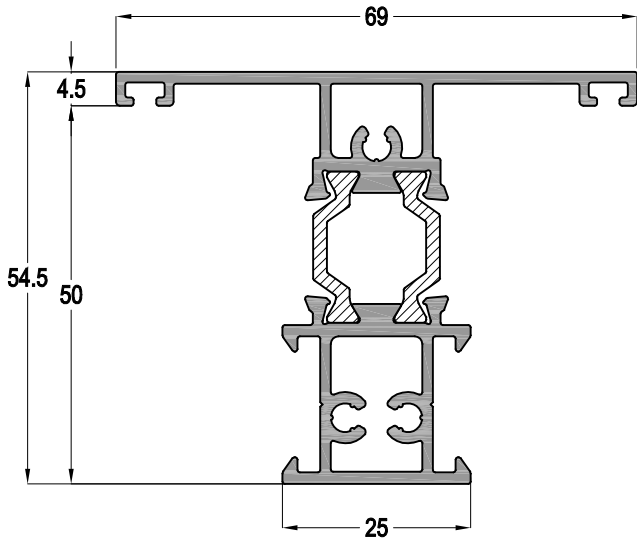


## FDT62 11



AĞIRLIK / Weight

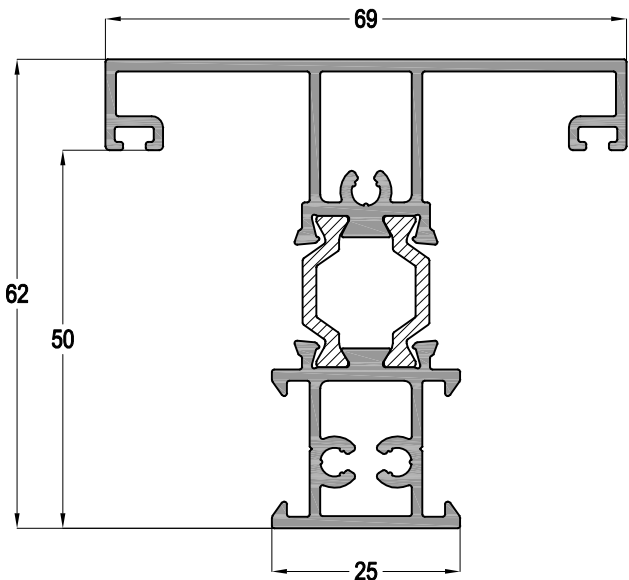
1,844 kg/mt



## FDT62 21

AĞIRLIK / Weight

1,290 kg/mt



## FDT62 22

AĞIRLIK / Weight

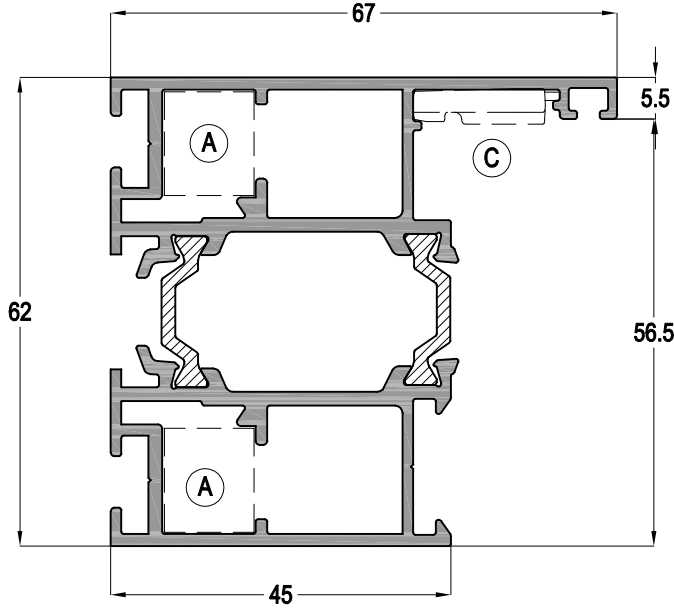
1,455 kg/mt





# FDT62

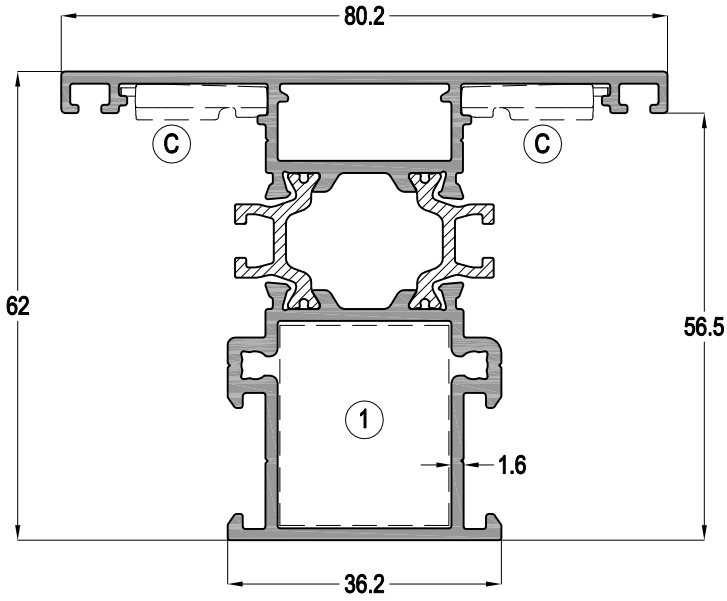
YALITIMLI KATLANIR KAPI SİSTEMİ  
THERMAL FOLDING DOOR SYSTEM


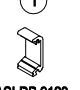
ASISTAL

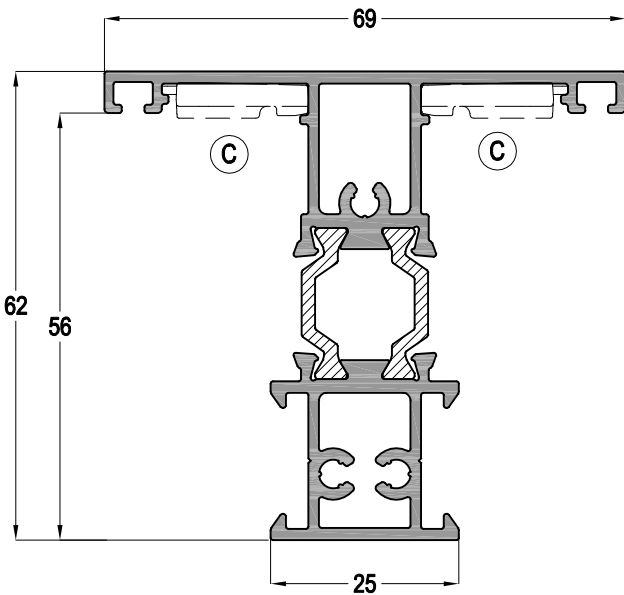


## FDT62 12


		<b>AĞIRLIK / Weight</b>
		1,791 kg/mt



<b>TH62 162</b>	<b>Jx cm<sup>4</sup></b>	<b>Jy cm<sup>4</sup></b>
	25,51	16,76
		<b>AĞIRLIK / Weight</b>
		1,591 kg/mt



## FDT62 23

	<b>AĞIRLIK / Weight</b>
	1,373 kg/mt

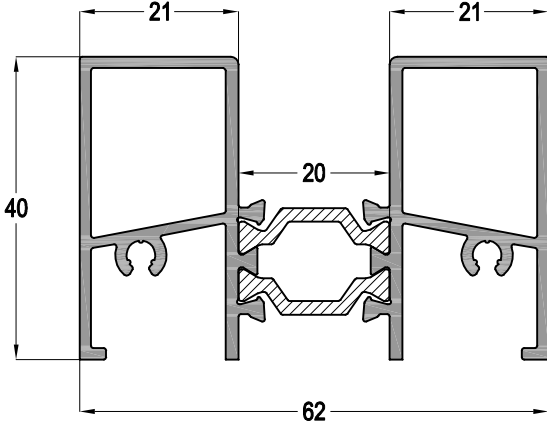
⊗ Sipariş öncesi kalıp bilgisi kontrol edilmeli  
must be check profile production before the order

Profil ağırlıklarımız teorik olup; teslim anındaki tartımız geçerlidir

# FDT62

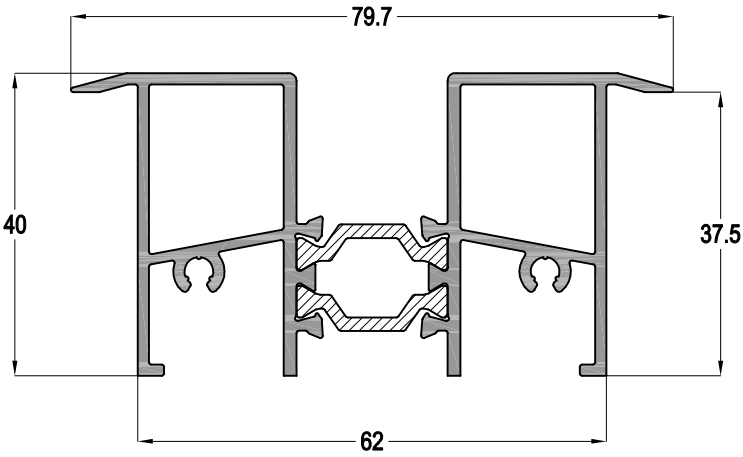
YALITIMLI KATLANIR KAPI SİSTEMİ  
THERMAL FOLDING DOOR SYSTEM

**ASISTAL**



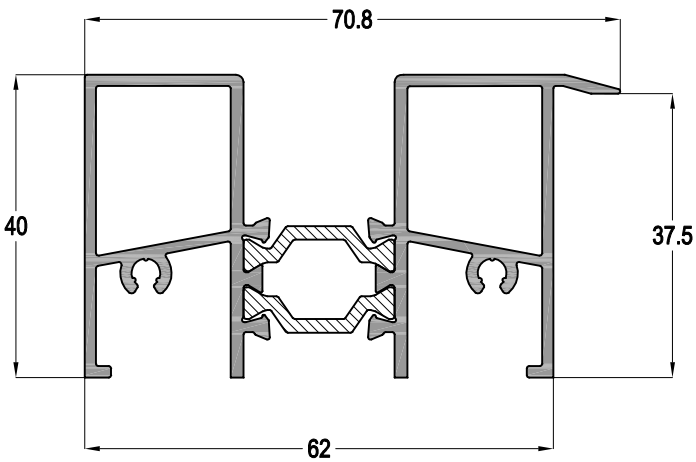
## FDT62 03

FDT62 03	
	AĞIRLIK / Weight
	1,314 kg/mt



## FDT62 04

FDT62 04	
	AĞIRLIK / Weight
	1,378 kg/mt

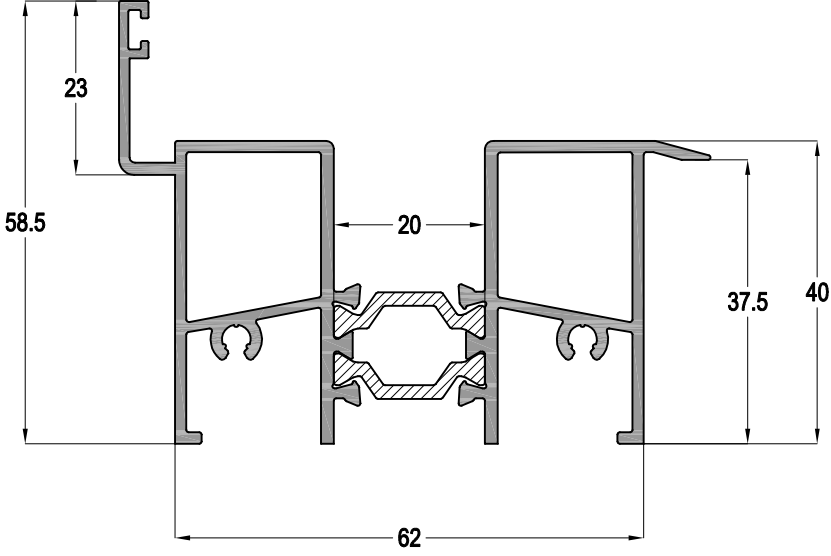


## FDT62 05

FDT62 05	
	AĞIRLIK / Weight
	1,346 kg/mt

# FDT62

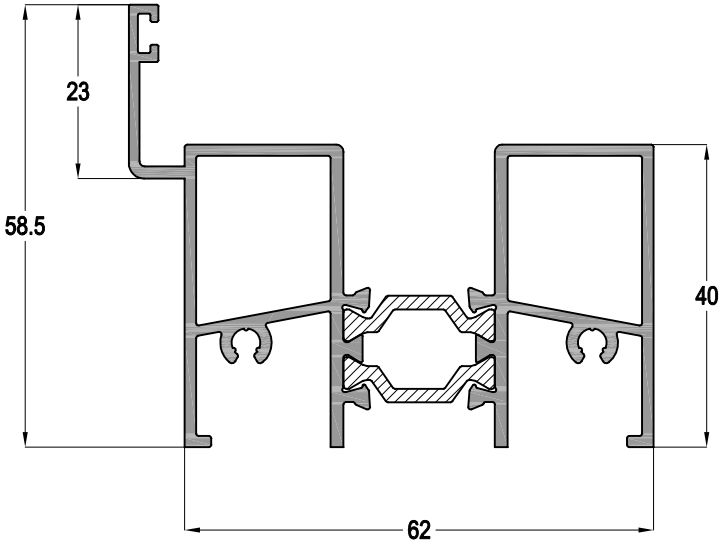
YALITIMLI KATLANIR KAPI SİSTEMİ  
THERMAL FOLDING DOOR SYSTEM



## FDT62 06

AĞIRLIK / Weight

1,465 kg/mt



## FDT62 07

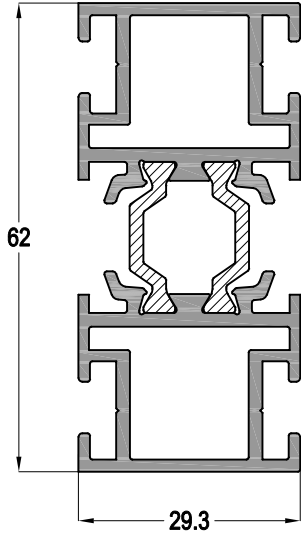
AĞIRLIK / Weight

1,433 kg/mt

# FDT62

YALITIMLI KATLANIR KAPI SİSTEMİ  
THERMAL FOLDING DOOR SYSTEM

ASISTAL



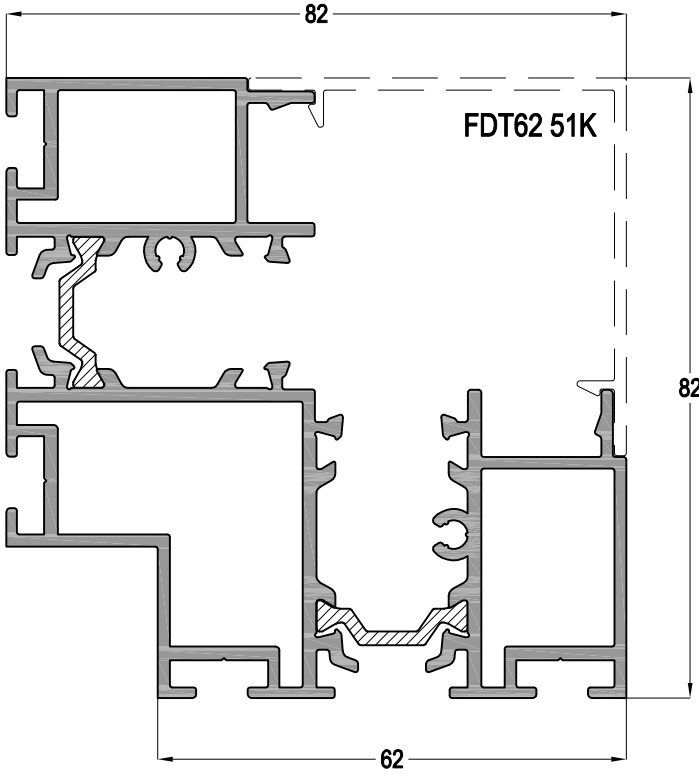
## FDT62 45



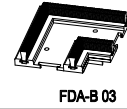
AĞIRLIK / Weight

1,423 kg/mt

⊗ Sipariş öncesi kalıp bilgisi kontrol edilmeli  
must be check profile mold before the order

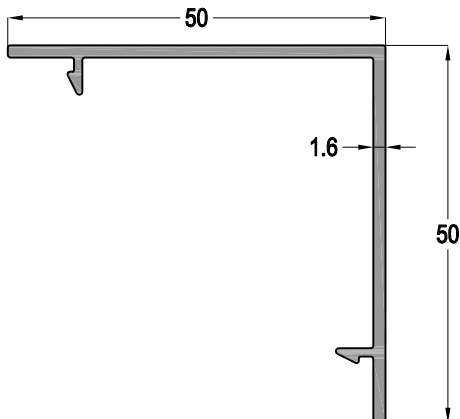


## FDT62 51



AĞIRLIK / Weight

3,184 kg/mt



## FDT62 51K

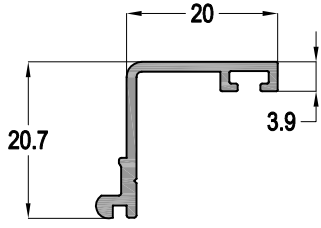
AĞIRLIK / Weight

0,460 kg/mt

# FDT62

YALITIMLI KATLANIR KAPI SİSTEMİ  
THERMAL FOLDING DOOR SYSTEM

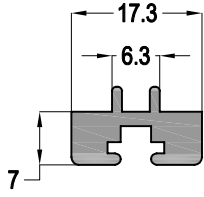
## ASISTAL



### FDT62 41

AĞIRLIK / Weight

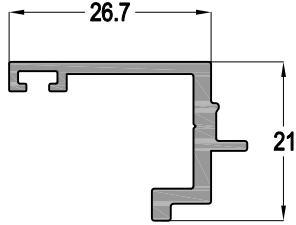
0,190 kg/mt



### FDT62 42

AĞIRLIK / Weight

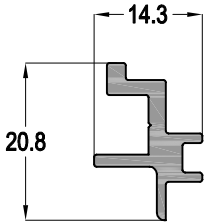
0,278 kg/mt



### FDT62 43

AĞIRLIK / Weight

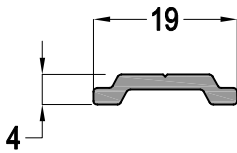
0,310 kg/mt



### FDT62 44

AĞIRLIK / Weight

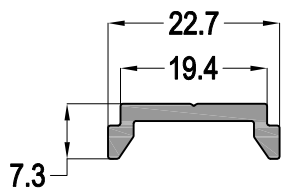
0,202 kg/mt



### 12-41 ( mat siyah )

AĞIRLIK / Weight

0,118 kg/mt



### 12-62 ( mat siyah )

AĞIRLIK / Weight

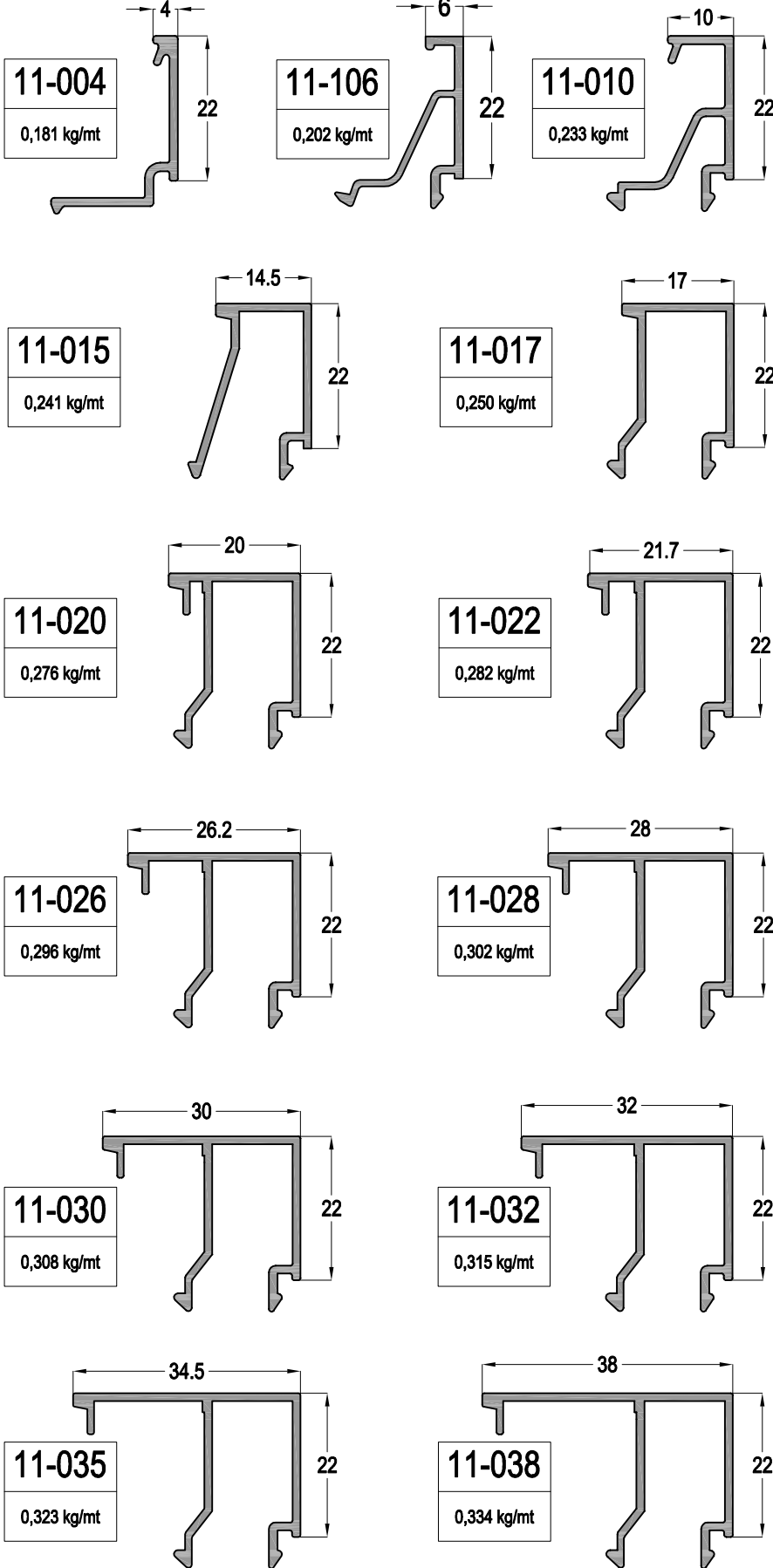
0,191 kg/mt

# FDT62

YALITIMLI KATLANIR KAPI SİSTEMİ  
THERMAL FOLDING DOOR SYSTEM

## ASISTAL

### FDT62 11 NOLU KANAT İÇİN CAM ÇİTASI SEÇİMİ GLAZING BEAD FOR FDT62 11



CAM KALINLIĞINA GÖRE CAM ÇİTASI SEÇİM TABLOSU  
Glazing Bead Selection Table according to the Glass Thickness

CAM KALINLIĞI Glass Thickness (mm)	CAM ÇİTASI Glazing Bead	İÇ CAM FİTİLİ Glass Gasket (IN)	DIŞ CAM FİTİLİ Glass Gasket (OUT)
4	11-038	EP2-02	EP1-01
5	11-038	EP2-01	EP1-01
6	11-035	EP2-03	EP1-01
7	11-035	EP2-02	EP1-01
8	11-035	EP2-01	EP1-01
10	11-032	EP2-02	EP1-01
11	11-032	EP2-01	EP1-01
12	11-030	EP2-02	EP1-01
13	11-030	EP2-01	EP1-01
14	11-028	EP2-02	EP1-01
15	11-028	EP2-01	EP1-01
16	11-026	EP2-02	EP1-01
17	11-026	EP2-01	EP1-01
18	11-026	KC-02	EP1-01
20	11-022	EP2-02	EP1-01
21	11-022	EP2-01	EP1-01
22	11-020	EP2-02	EP1-01
23	11-020	EP2-01	EP1-01
24	11-017	EP2-03	EP1-01
26	11-017	EP2-01	EP1-01
27	11-017	KC-02	EP1-01
28	11-015	EP2-01	EP1-01
29	11-015	KC-02	EP1-01
32	11-010	EP2-02	EP1-01
33	11-010	EP2-01	EP1-01
34	11-010	KC-02	EP1-01
36	11-106	EP2-02	EP1-01
37	11-106	EP2-01	EP1-01
38	11-106	KC-02	EP1-01
40	11-004	KC-02	EP1-01

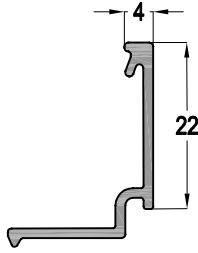
### FDT62 12 NOLU KANAT İÇİN CAM ÇİTASI SEÇİMİ GLAZING BEAD FOR FDT62 12

CAM KALINLIĞINA GÖRE CAM ÇİTASI SEÇİM TABLOSU  
Glazing Bead Selection Table according to the Glass Thickness

CAM KALINLIĞI Glass Thickness (mm)	CAM ÇİTASI Glazing Bead	İÇ CAM FİTİLİ Glass Gasket (IN)	DIŞ CAM FİTİLİ Glass Gasket (OUT)
4	11-044	EP2-03	EP1-01
5	11-044	EP2-02	EP1-01
6	11-044	EP1-01	EP1-01
10	11-038	EP2-02	EP1-01
11	11-038	EP2-01	EP1-01
12	11-035	EP2-03	EP1-01
13	11-035	EP2-02	EP1-01
14	11-035	EP2-01	EP1-01
16	11-032	EP2-02	EP1-01
17	11-032	EP2-01	EP1-01
18	11-030	EP2-03	EP1-01
19	11-030	EP2-02	EP1-01
20	11-028	EP2-03	EP1-01
21	11-028	EP2-02	EP1-01
22	11-026	EP2-03	EP1-01
23	11-026	EP2-02	EP1-01
24	11-022	EP2-03	EP1-01
26	11-022	EP2-02	EP1-01
27	11-022	EP2-01	EP1-01
28	11-020	EP2-03	EP1-01
29	11-020	EP2-02	EP1-01
30	11-017	EP2-03	EP1-01
31	11-017	EP2-02	EP1-01
32	11-017	EP2-01	EP1-01
33	11-015	EP2-03	EP1-01
34	11-015	EP2-02	EP1-01
38	11-010	EP2-03	EP1-01
39	11-010	EP2-02	EP1-01
40	11-106	EP2-03	EP1-01
42	11-106	EP2-02	EP1-01
44	11-004	EP2-03	EP1-01
45	11-004	EP2-02	EP1-01

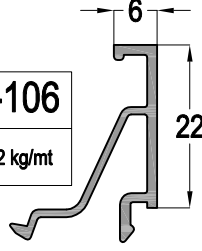
11-004

0,181 kg/mt



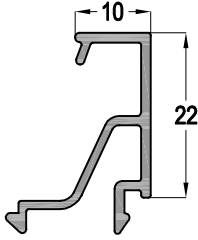
11-106

0,202 kg/mt



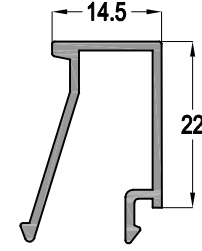
11-010

0,233 kg/mt



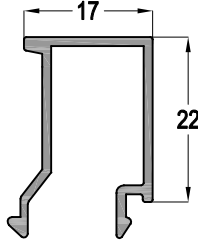
11-015

0,241 kg/mt



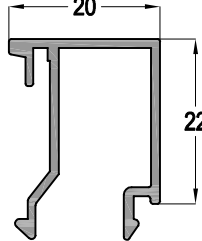
11-017

0,250 kg/mt



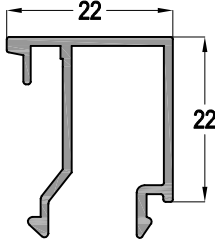
11-020

0,276 kg/mt



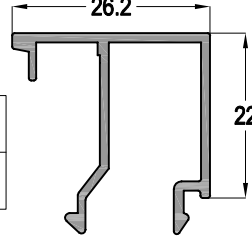
11-022

0,282 kg/mt



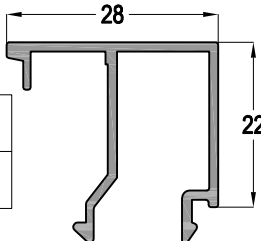
11-026

0,296 kg/mt



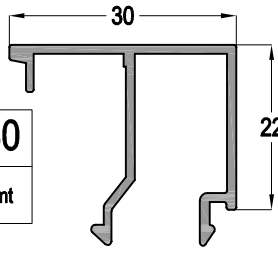
11-028

0,302 kg/mt



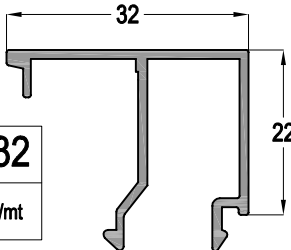
11-030

0,308 kg/mt



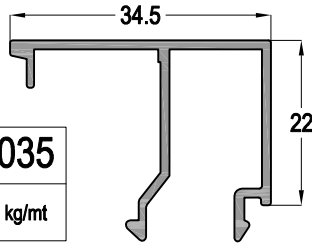
11-032

0,315 kg/mt



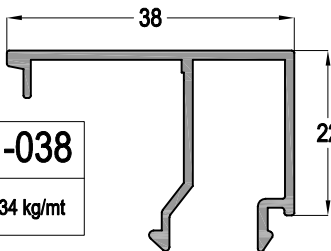
11-035

0,323 kg/mt



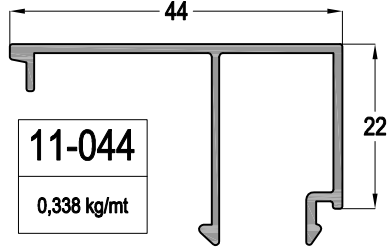
11-038

0,334 kg/mt

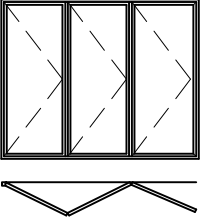
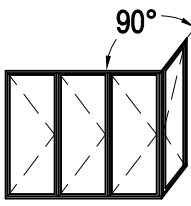

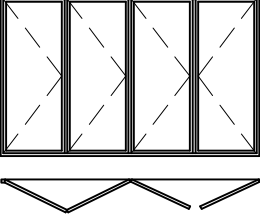
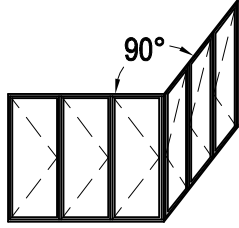
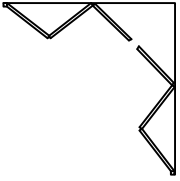
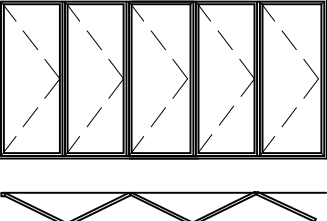
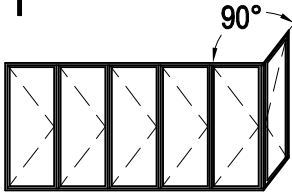
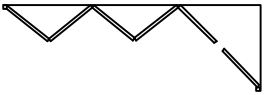
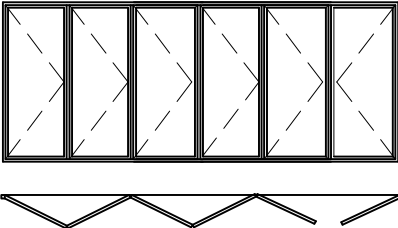
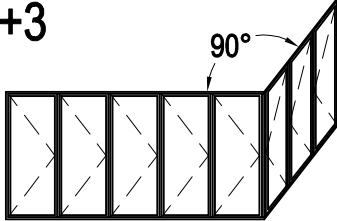
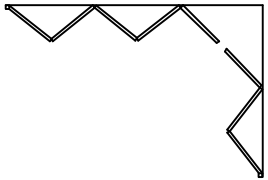
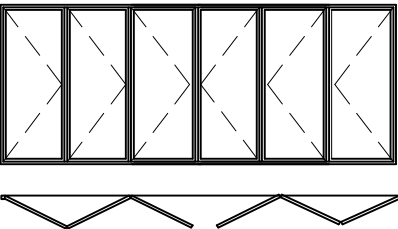
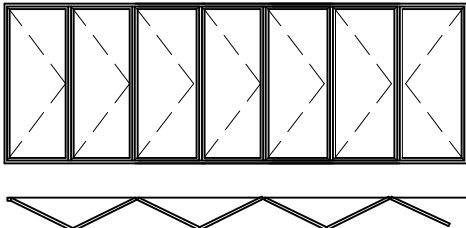
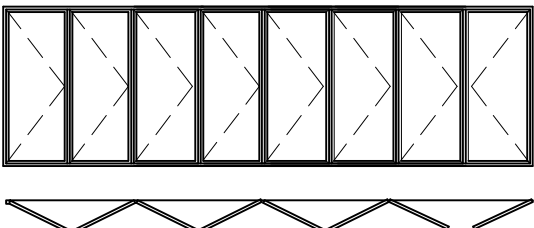


11-044

0,338 kg/mt



## İÇE veya DIŞA AÇILIM TİPLERİ - OPENING TYPES (INWARD OR OUTWARD)

 <p>3</p>	<p>3+1</p>  
 <p>3+1=4</p>	<p>3+3</p>  
 <p>5</p>	<p>5+1</p>  
 <p>5+1=6</p>	<p>5+3</p>  
 <p>3+3=6</p>	
 <p>7</p>	
 <p>7+1=8</p>	



**FDT62**

YALITIMLI KATLANIR KAPI SİSTEMİ  
THERMAL FOLDING DOOR SYSTEM

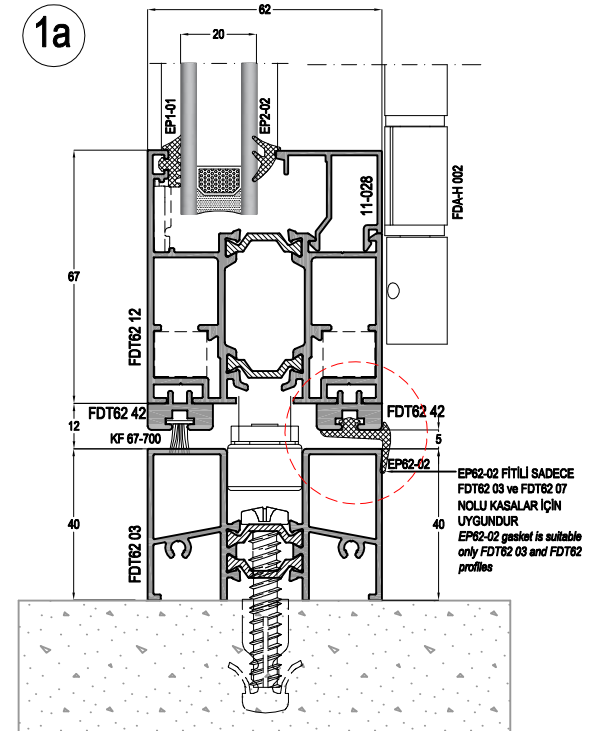
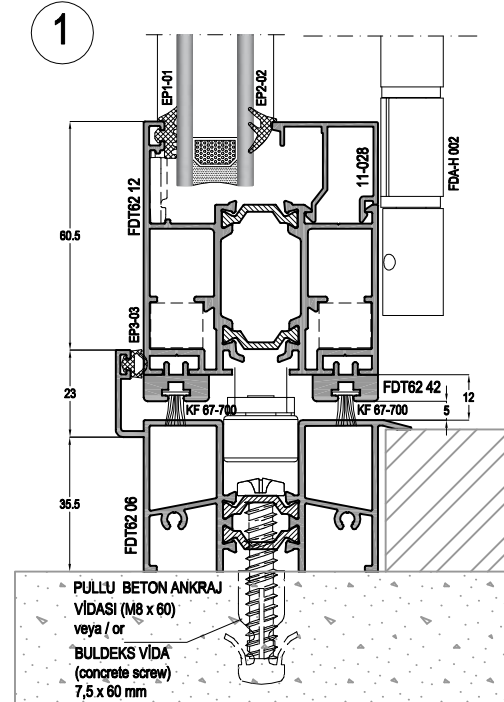
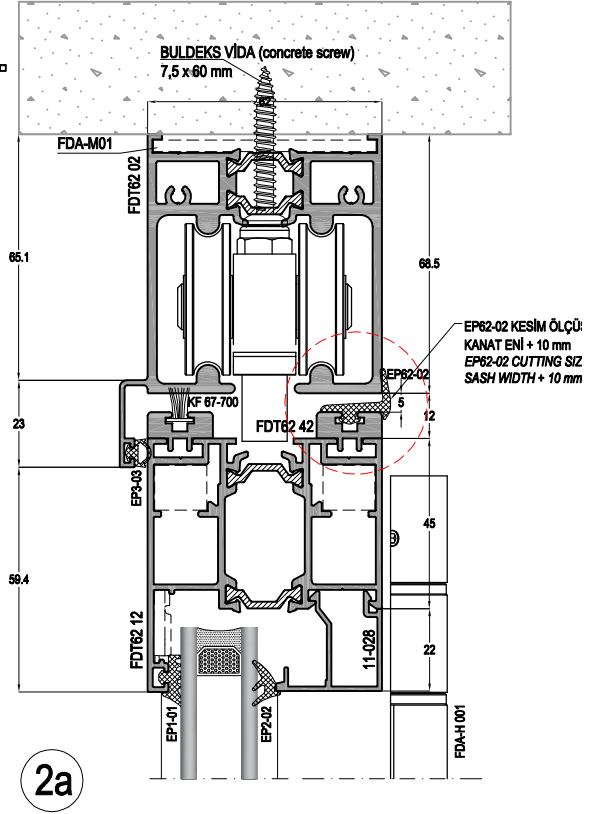
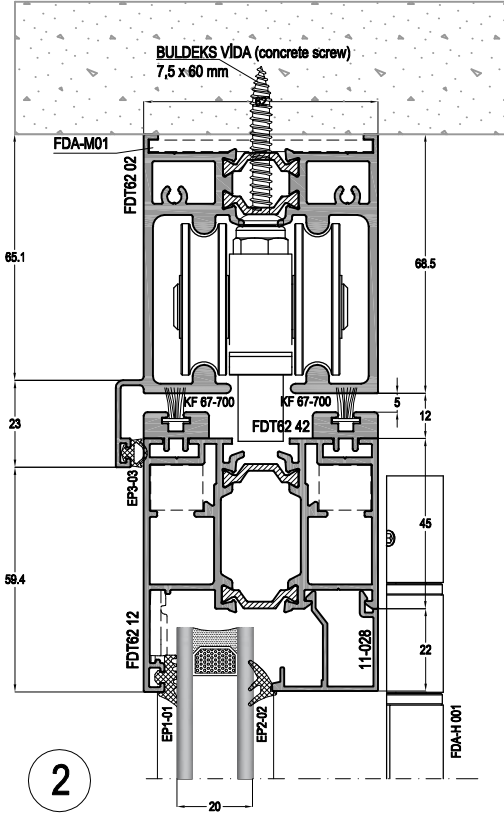
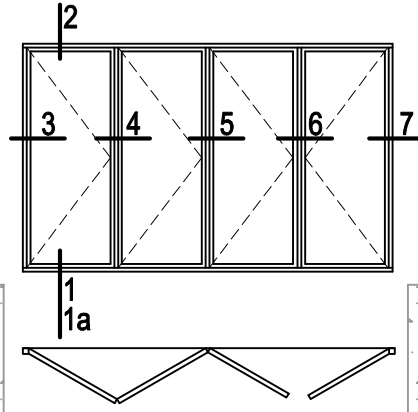
**ASISTAL**

**SİSTEM DETAYLARI**  
*SYSTEM DETAILS*

# FDT62

YALITIMLI KATLANIR KAPI SİSTEMİ  
THERMAL FOLDING DOOR SYSTEM

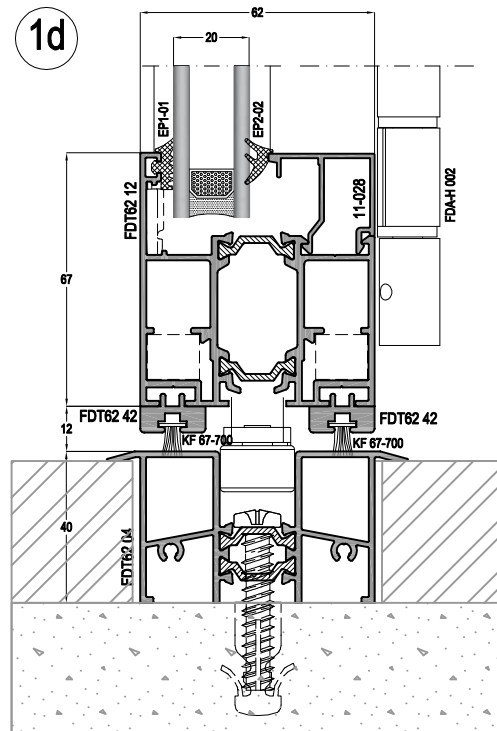
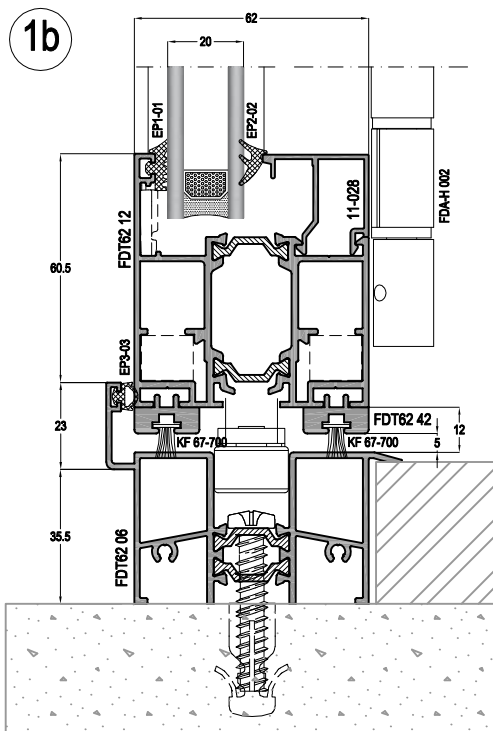
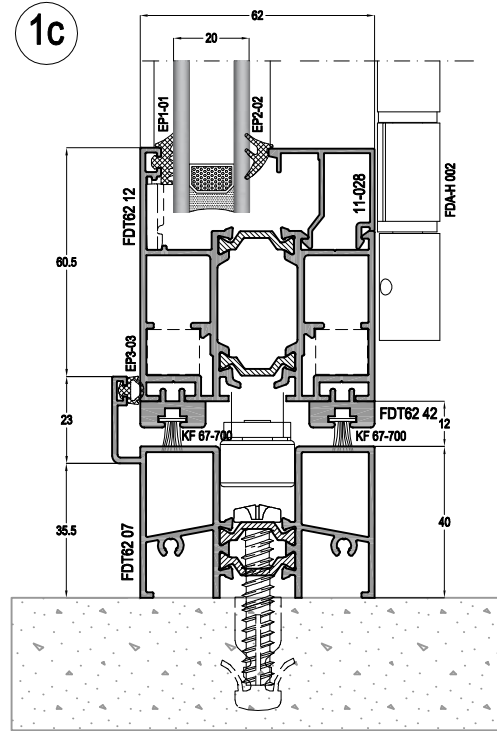
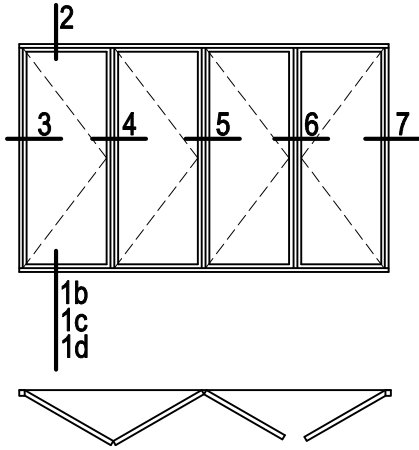
# ASISTAL



# FDT62

YALITIMLI KATLANIR KAPI SİSTEMİ  
THERMAL FOLDING DOOR SYSTEM

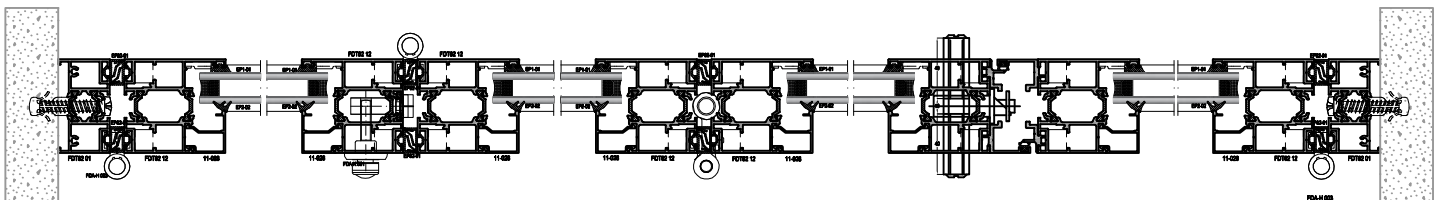
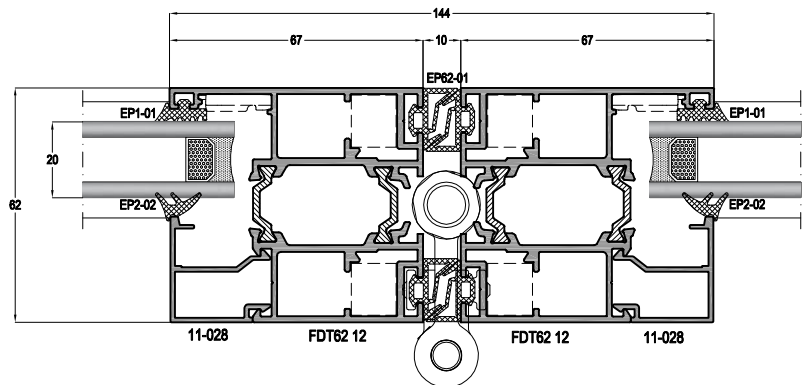
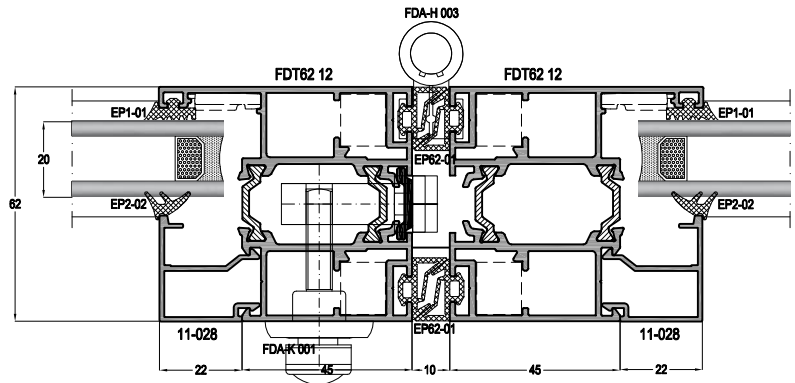
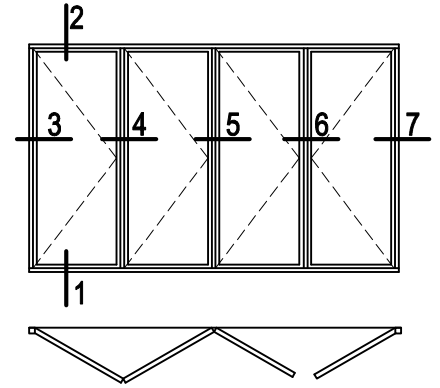
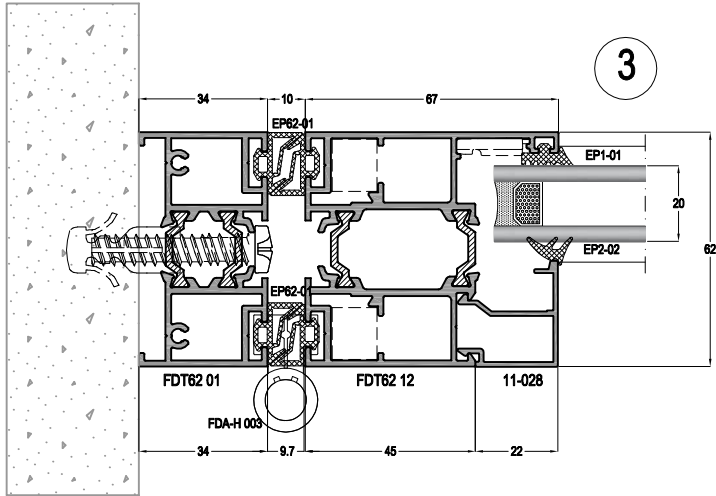
# ASISTAL



# FDT62

YALITIMLI KATLANIR KAPI SİSTEMİ  
THERMAL FOLDING DOOR SYSTEM

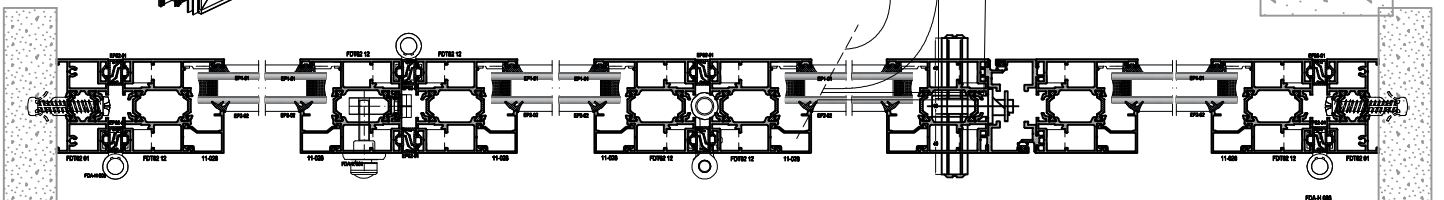
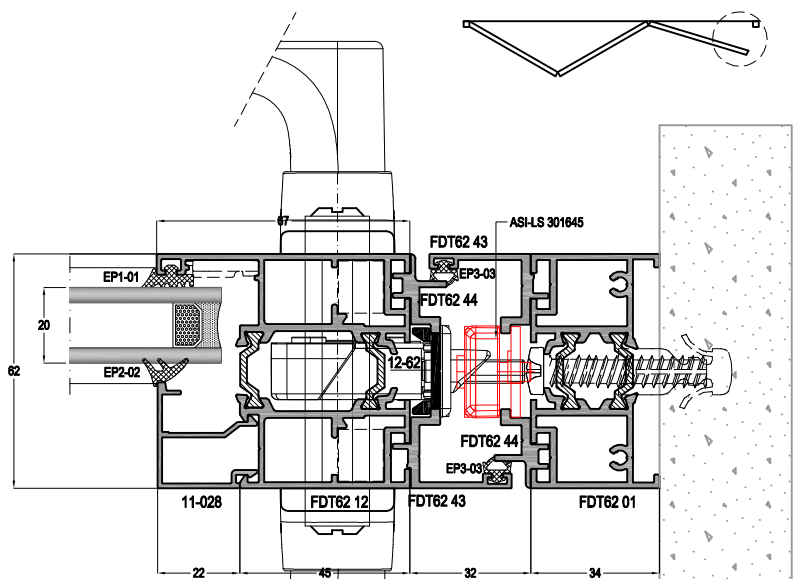
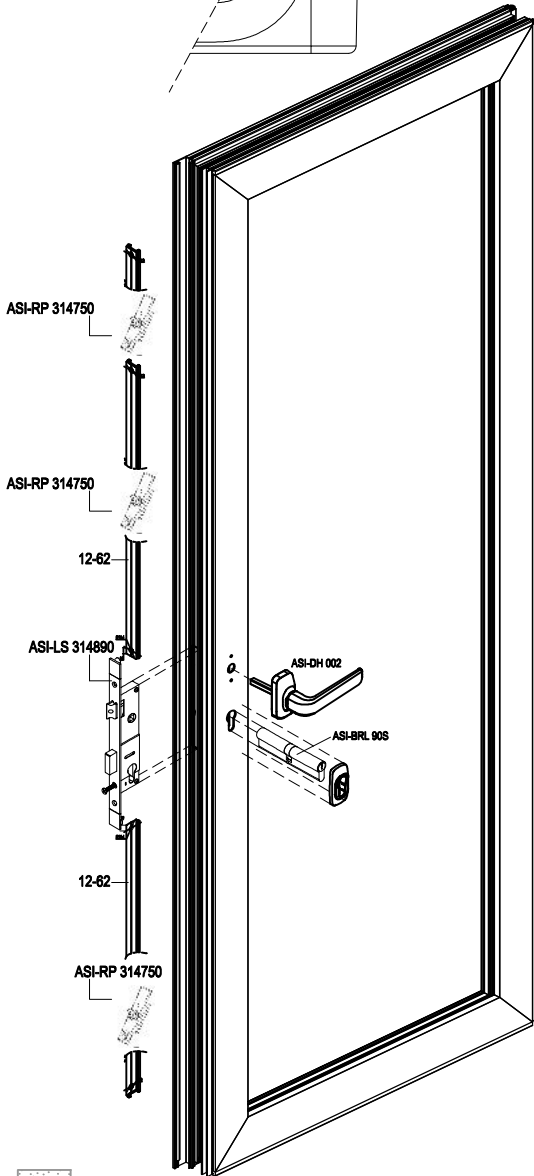
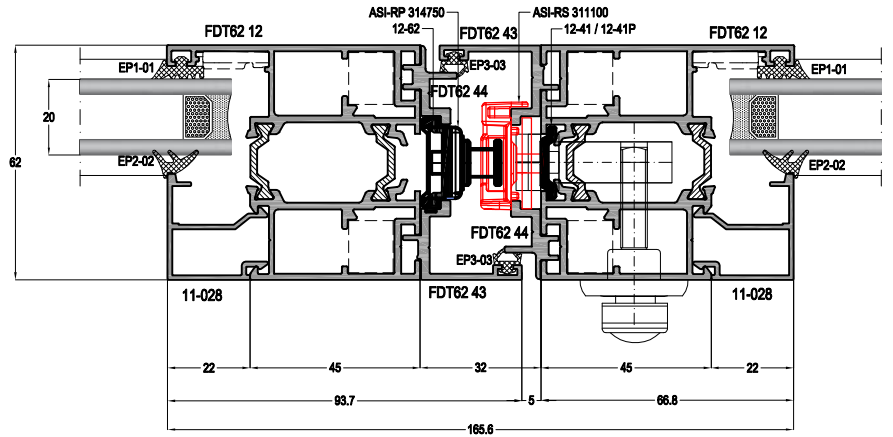
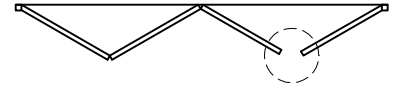
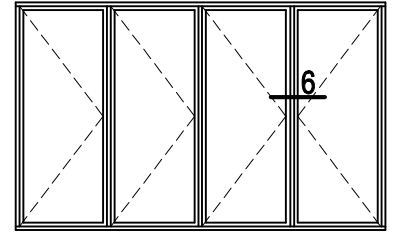
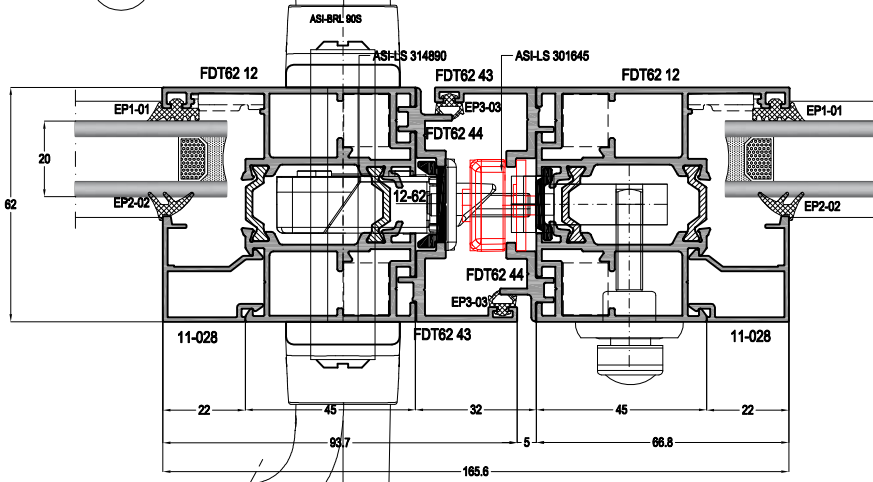
# ASISTAL

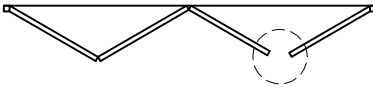
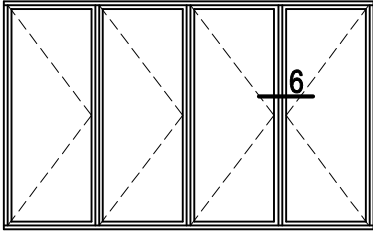


ö: 1/2

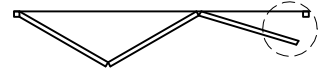
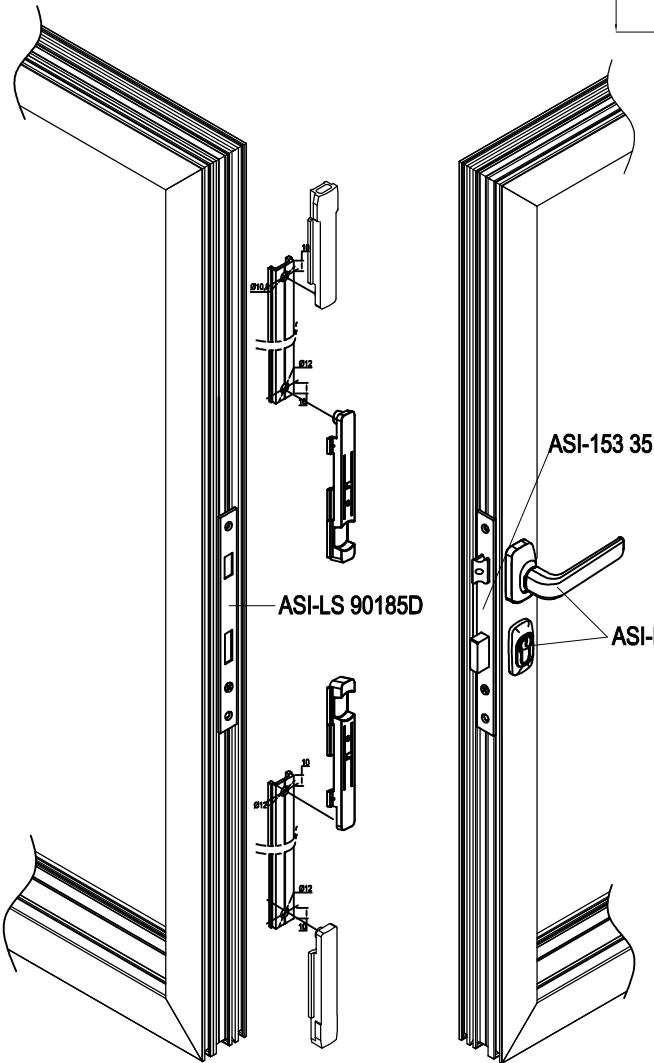
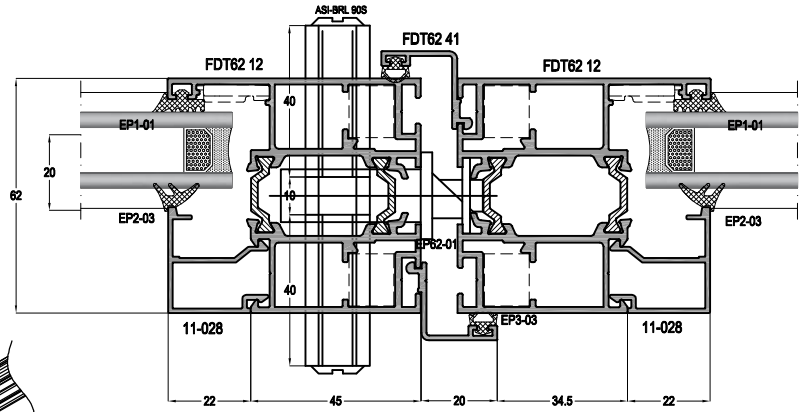
## İSPANYOLET KİLİTLEME DETAYI MULTI POINT LOCK DETAIL

6

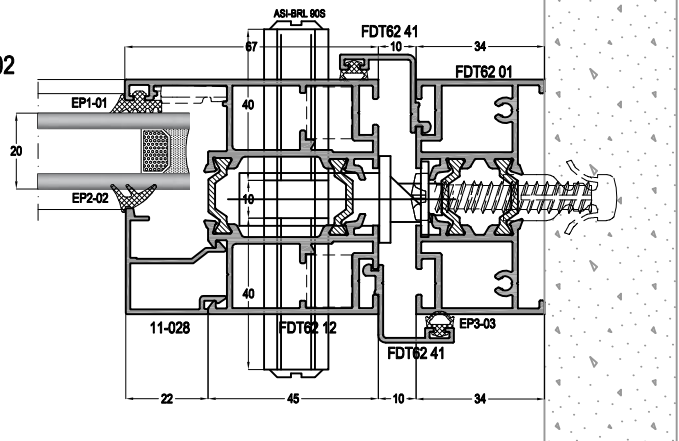


TEK NOKTADAN KİLİTLEME DETAYI-STANDART DİLLİ KİLİT UYGULAMASI  
SINGLE POINT LOCK DETAIL - STANDART MORTISE LOCK

6



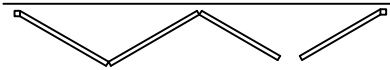
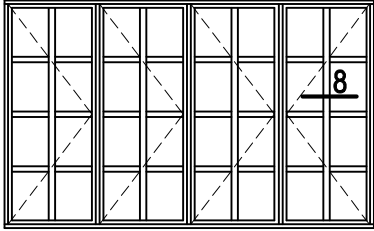
7



# FDT62

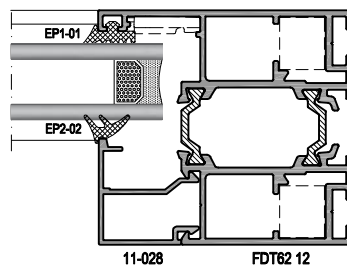
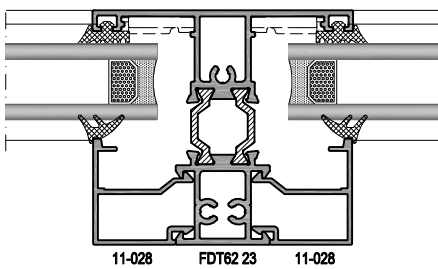
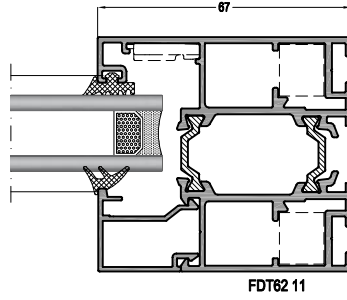
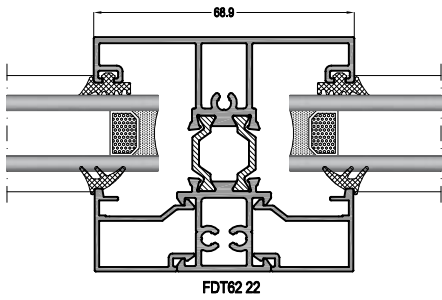
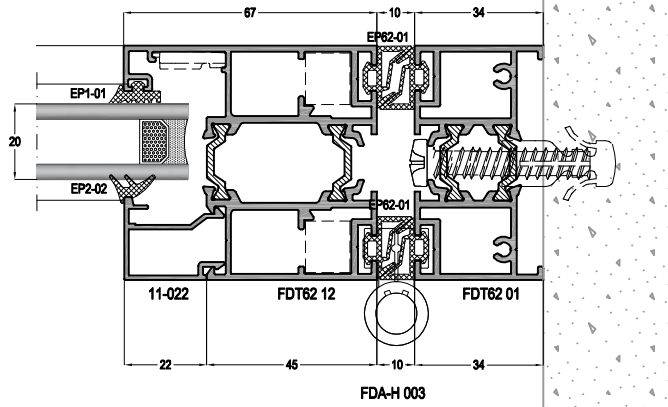
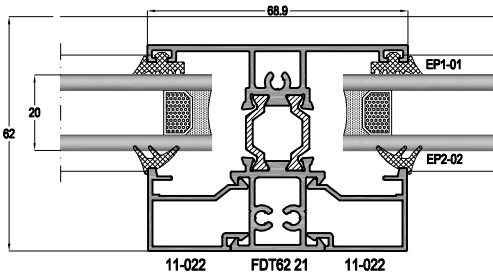
YALITIMLI KATLANIR KAPI SİSTEMİ  
THERMAL FOLDING DOOR SYSTEM

**ASISTAL**



8

7



# FDT62

YALITIMLI KATLANIR KAPI SİSTEMİ  
THERMAL FOLDING DOOR SYSTEM

# ASISTAL

